

TOYOTA

TUNDRA

2014-2017

LED Truck Bed Light Kit

Part Number: TBL-016S



**Kit Contents**

Item #	Quantity Req'd.	Description
1	2	LED Bed Light Harness (10')
2	2	LED Bed Light Harness (5')
3	1	"Y" Harness Extension (11')
4	1	"Y" Harness Extension (6')
5	1	Cabin Wire Harness
6	15	Wire Ties
7	4	Wire Connectors
8	1	Red T-Tap
9	1	In-Line Fuse

**General Applicability**

Short Bed (5') Models

**Conflicts**

None

**Recommended Tools**

<b>Safety Tools</b>	
Safety Glasses	
<b>Installation Tools</b>	
10mm Socket/Wrench	
Phillips Screw Driver	
Side Cutters	
Nylon Panel Removal Tool	
Torque Wrench	48 in-lb
Masking Tape	
<b>Special Chemicals</b>	
Alcohol Based Cleaner or Wipes	
Silicone Sealant	

Mandatory

Legend

	<b>STOP:</b> Damage to the vehicle may occur. Do not proceed until process has been complied with.
	<b>OPERATOR SAFETY:</b> Use caution to avoid risk of injury
	<b>CRITICAL PROCESS:</b> Proceed with caution to ensure a quality installation. These points will be audited on a completed vehicle installation
	<b>TOOLS &amp; EQUIPMENT:</b> This calls out the specific tools and equipment required for this process
	<b>REVISION MARK:</b> This mark highlights a change in installation with respect to previous issue.

Care must be taken when installing this accessory to ensure damage does not occur to the vehicle. The installation of this accessory should follow these approved guidelines to ensure quality installation.

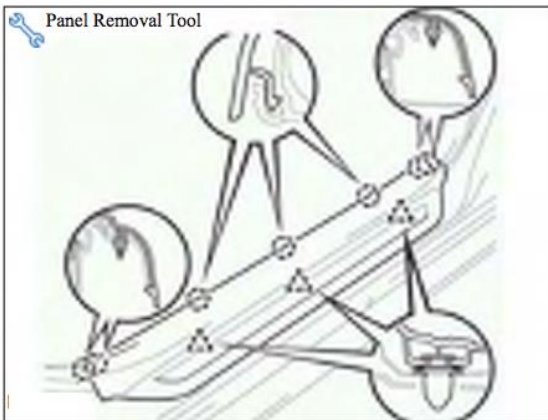
**PREPARATION**

**STOP** Remove negative battery cable



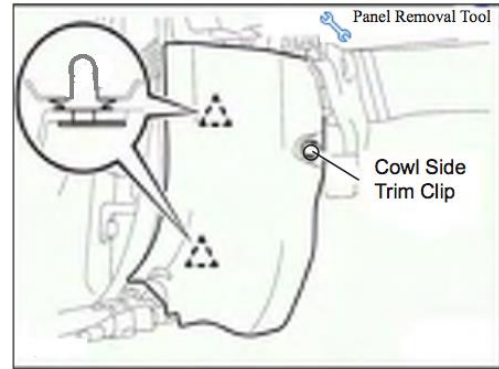
**IN-CABIN PROCEDURES**

1. Disengage and remove both the front and rear driver's side door sill panels with the nylon panel removal tool. (pic 1)



Picture 1

2. Remove the cowl side trim panel from the driver's side of the dash. (pic 2)



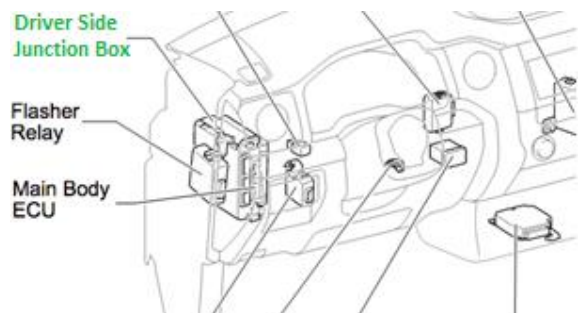
Picture 2

3. Remove the lower dash panel from the driver's side by removing the two phillips screws. (pic 3)

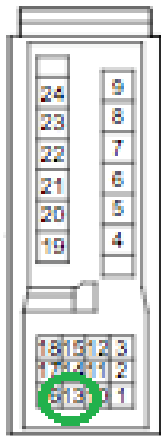


Picture 3

4. At Connector DC, Pin 13, brown wire, install a supplied Red T-tap. Connector DC is located in the junction box, to the left of the steering column. (pics 4 thru 4C)

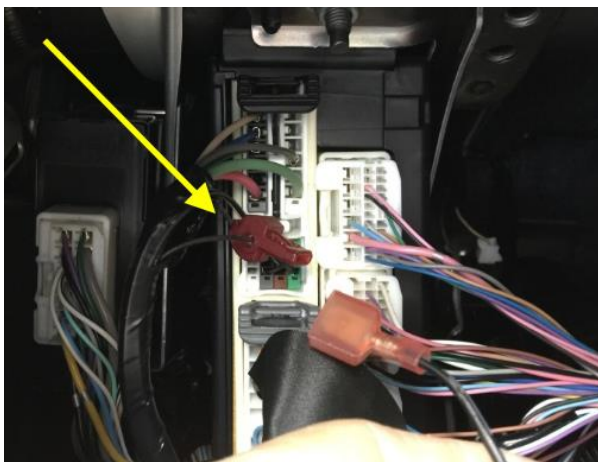


Picture 4

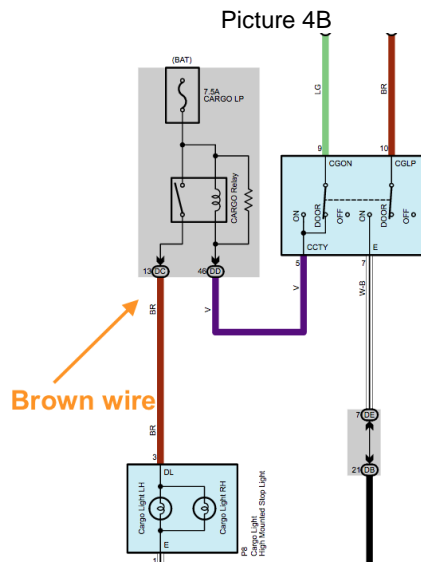


Connector DC

Picture 4A



Picture 4B



Picture 4C

5. Insert the male spade connector from the supplied In-Line Fuse (pic 5) into the Red T-Tap installed in Step 4. Then, insert the male spade connector from the supplied Cabin Wire Harness (pic 5A) into the female connector of the In-Line Fuse.



Picture 5



Picture 5A

6. Fasten the ring connector from the Cabin Wire Harness to the 10mm ground bolt located within the driver side kick panel. (pic 6)



Picture 6

- 7. Route the Cabin Wire Harness down through the driver's side kick panel, then under the driver side door sill plate areas. Secure with wire ties as needed. (pic 7)



Picture 7

- 8. Route the Cabin Wire Harness to the rear door sill plate. (pic 8)



Picture 8

**TRUCK BED PROCEDURES**

- 9. Remove the plastic bed rail caps from both the driver and passenger sides, by pulling up from the inside of the caps. (pic 9)



Picture 9

- 10. Begin installing one of the supplied 10' LED Bed Light Harnesses (pic 10) at the driver's side rear of the bed. Position the LED Light at the desired location under the bed rail, with the wire harness heading to the rear of the vehicle. Using masking tape, temporarily attach the LED light in place (Do NOT remove 3M tape strip at this time).



Picture 10

- 11. Route the 10' LED Bed Light Harness toward the rear of the vehicle, under the bed rail and through the access hole. (pic 11)



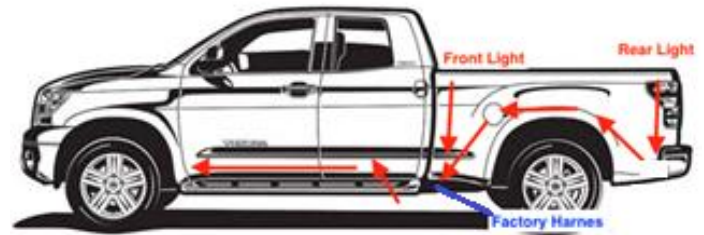
Picture 11

**NOTE:** Some models may have a cargo tie down rail option as shown below. In that case, route the wire behind the rail. (pic 12)



Picture 12

12. Once through the access hole, route the wire harness toward the front of the vehicle between the exterior sheet metal and the truck bed. It is helpful to fish the wire along the top openings of the truck bed.
13. At the front of the bed, drop the remaining wire harness down between the exterior sheet metal and the truck bed. (pic 13)



Picture 13

14. Repeat steps 10 through 13 for the Passenger side.
15. Begin installing one of the supplied 5' LED Bed Light Harnesses on the driver's side front of the bed. Position the LED Light at the desired location under the bed rail, with the wire harness heading to the front of the vehicle. Using masking tape, temporarily attach the LED light in place (Do NOT remove 3M tape strip at this time).
16. Route the 5' LED Bed Light Harness toward the front of the vehicle, under the bed rail and through the access hole. (pic 16)



Picture 16

17. At the front of the bed, drop the remaining wire harness down between the exterior sheet metal and the truck bed.

18. Repeat steps 15 through 17 for the Passenger side.

19. From underneath the driver's side of the vehicle, locate the two LED Bed Light Harnesses that were dropped down in steps 13 & 17. Insert one of the supplied Wire Connectors (pic 17) onto each of the two sets of pin connectors on the LED Bed Light Harness. (pic 18)



**IMPORTANT:** The positive (Red) wire must be inserted in slot #1 and the negative (Black) wire in slot #2, as numbered on the Wire Connector.



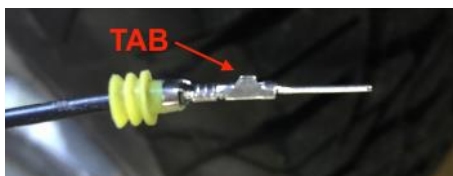
Picture 17



Picture 18



**IMPORTANT:** When pushing the pins into the Wire Connector, make sure that each pin tab faces the rear (NOT the front) of the wire connector. The pin tab should lock into place. (pic 19 & 19a)



Picture 19



Picture 19a

20. Repeat step 19 on the passenger side.

21. Begin installing the 11' "Y" Harness Extension (pic 20) to the two LED Bed Light Harnesses on the passenger side. The connectors should "click" to assure proper contact.



Picture 20

22. Route the 11' "Y" Harness Extension from the passenger side to the driver side of the vehicle. Use wire ties to secure it under the vehicle as needed. (pics 21 & 21a)

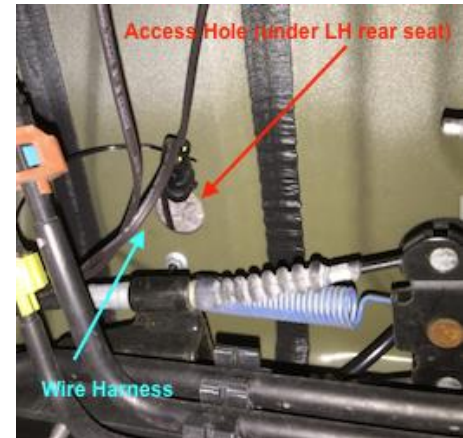


Picture 21



Picture 21a

23. Begin installing the 6' "Y" Harness Extension to the two LED Bed Light Harnesses on the driver's side. The connectors should "click" to assure proper contact.
24. Route both "Y" Harness Extensions toward the front of the vehicle, secure with wire ties as needed.
25. From under the vehicle, locate and remove the rubber access grommet (pic 22) under the left rear seat area.



Picture 22

26. Using side cutters, make a cut to the center of the rubber grommet to allow for passage of the wire harness. (pic 23)



Picture 23

27. From inside the cabin, route the inside Cabin Wire Harness under the carpet, then through the access hole in the vehicle floor. Insert the rubber Grommet onto the Cabin Wire Harness, then reinsert the grommet into the access hole and seal with Silicone Sealant.
28. From under the vehicle, connect the Cabin Wire Harness to the two "Y" Harness Extension connectors. Secure any excess wire with wire ties as needed.

29. Remove the masking tape that was used to temporarily hold the four LED Bed Lights in place. Using an alcohol based cleaner or wipe, thoroughly clean the rail surfaces where the truck bed lights will be mounted. (pic 24)



Picture 24

30. Once the rail surface has completely dried, peel the protective film from the double sided tape on the back of the bed light. Carefully place the bed light in the desired location, then apply pressure for 30 seconds to assure proper adhesion. (pic 25 & 25b)



Picture 25



Picture 25b

31. Inspect overall wire harness installation and secure with wire ties as needed.
32. Reinstall all removed panels and bed caps.
33. Reinstall negative battery cable and torque to 48 in-lb.



**Checklist** – these points MUST be checked to ensure quality installation

**Check System for Operation**

1. The LED Truck Bed Lights will illuminate only when the factory Cargo Light Switch is in the 'ON' position.

**Check**

Accessory Functions Checks

---

- Factory Cargo Light Illuminates.....
- LED Bed Lights Illuminate.....
- All Panels & Bed Caps Properly Reinstalled....
- Battery Terminal Reconnected.....
- Check All Vehicle Switch Functions.....

**Look For:**

---

- ON/OFF Properly. Full Illumination.
- ON/OFF Properly. Full Illumination.
- No Gaps. Secured Properly.
- Torque Battery Terminal to 48 in-lb
- ON/OFF Properly. Functioning Properly.